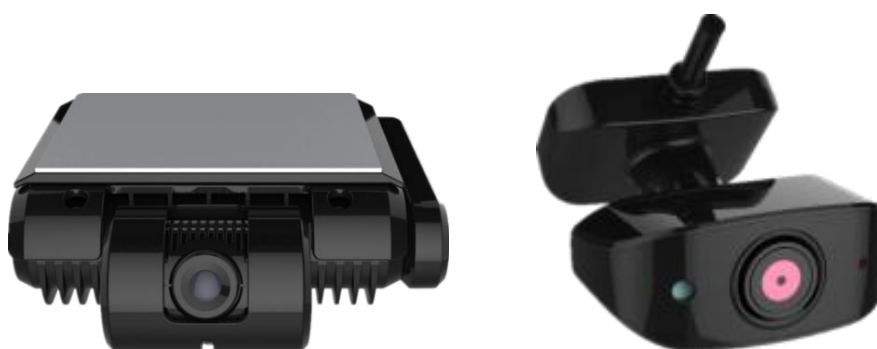


User Manual For Camera C6D



1. Product characteristics

1.1. Overview

Streamax C6D (2.0) is a kind of cost-effective device designed for mobile video surveillance. Its characteristics are as follows:

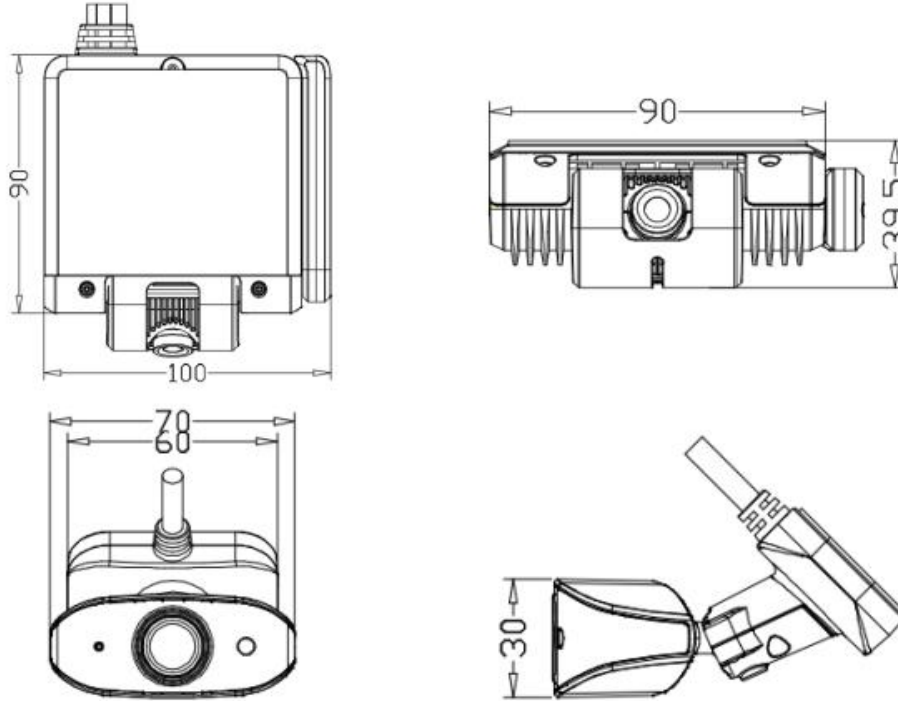
- The product is mainly composed of two parts: the external camera C6D-M, the internal camera C6D-S;
- Supports 3G / 4G, Bluetooth, WIFI, 6 axis and other functions, which is easy to install;
- It can record the vehicle track for further analysis;
- SD card video storage, maximum support 128GB, and it has anti-theft function;
- Patented file system to protect passengers' privacy;
- Industrial design requirements, aluminum alloy shell, a large area of heat teeth, good heat dissipation. In general, the product can be used for 5 to 8 years;
- Compact size, light weight. It can be pasted to the glass on the rear side of rearview mirror, which will not effect the driver driving.
- The internal 720P camera C6D-S is with infrared, recording function, which can clearly capture the driver to protect the driver's safety;
- The external 1080P camera can clearly record the scene outside. When accidents happen, it could bu used as evidence for police.

1.2. Specifications

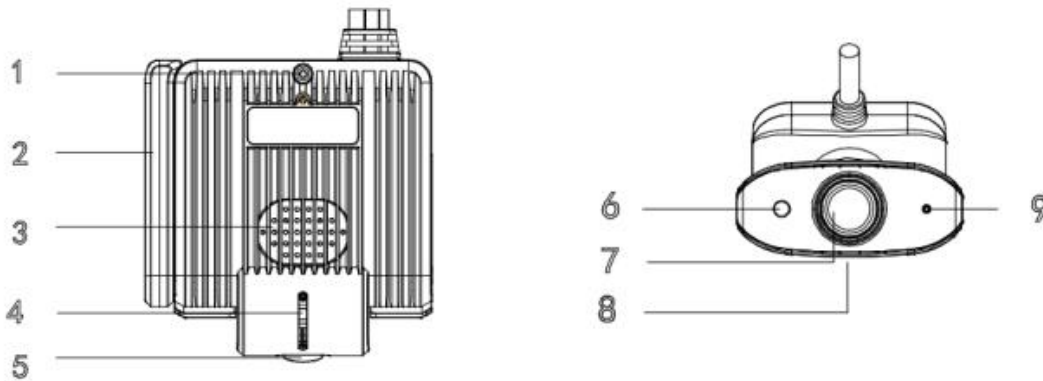
Series	C6D-M C6D-S	
Network	WIFI	Support
	Bluetooth	Support
	3G/4G	Support
Location	GPS	Support
Sensor	6-axis Sensor	Support
Miles/Time Calculation	Vehicle pulse acquisition	Support
LED	It shows the device working status The indicator light shows the four states of the device: Power: the device is powered, the red light is always bright; Normal operation: green light is always bright; Fault alarm: indicator red light flashes once a second; Sleep: green light flashes 1 second and off 10 seconds.	
Storage	SD Card	SDXC64G/128G/256G optional
Audio/Video	A/V recording	Video: 2 channels Audio: 1 channel
	Main stream resolution and frame rate	Inside: 720P @ 30fps Outside: 1080P @ 30fps
	Max.	Main stream stream 1080P @ 30 frames + 720P @ 30 frames,

		2 ways sub-stream VGA @ 30 frames
	Image setting	Brightness, Chroma, Contrast, saturation and sharpness
	Video coding	H.264 Baseline Profile/H.264 Main Profile Baseline
	Video compression bit rate	C6D-M: 500Kbps ~ 6Mbps C6D-S: 500Kbps ~ 6Mbps
	Audio compression standard	ADPCM
	Audio compression rate	4:1
	General function	Heartbeat mechanism, multi-level user management
	Intelligent alarm	Not support
	CBR / VBR	Support
	Audio input	Support
	Built-in speaker	Built-in speakers for broadcasts, prompting drivers or passengers
Camera parameters	Sensor(inside vehicle)	1/3" 1.23M pixel CMOS Sensor
	Sensor(outside vehicle)	1/2.9" 2M pixel CMOS Sensor
	Electronic Shutter	1/30Second-1/100000 Second
	Lens	Inside:2.3mm Outside:4mm
	Lens port	M12
	Day/Night IR-Cut	Inside: support Outside: not support
	Wide Dynamic Range	Digital Wide Dynamic Range
	Black-light Compensation	Support
	S/N	≥48db
	IR distance	Inside: 3m Outside: not support
Ports	RS232/RS485	1 channel/None
	Alarm	2 channels, with auto detection
	SPEED	1 channel
	Tamper detection alarm	1 channel
	Power output	5VDC@500mA , 9-16V@2A
Protocol	Network protocol	HTTP,TCP,ARP,UDP,FTP,DHCP,DNS,IP V4,NTP
	Power supply	DC 9~16V
	Built-in battery	Not supported
	Normal power consumption	6W
	Dormancy	Supports dormancy uploading
	Power consumption	Less than 9W
Others	Temperature	-30°C~+70°C
	Storage temperature	-40°C~+85°C
	Humidity	0% - 90%

1.3. Dimension (Unit: mm)



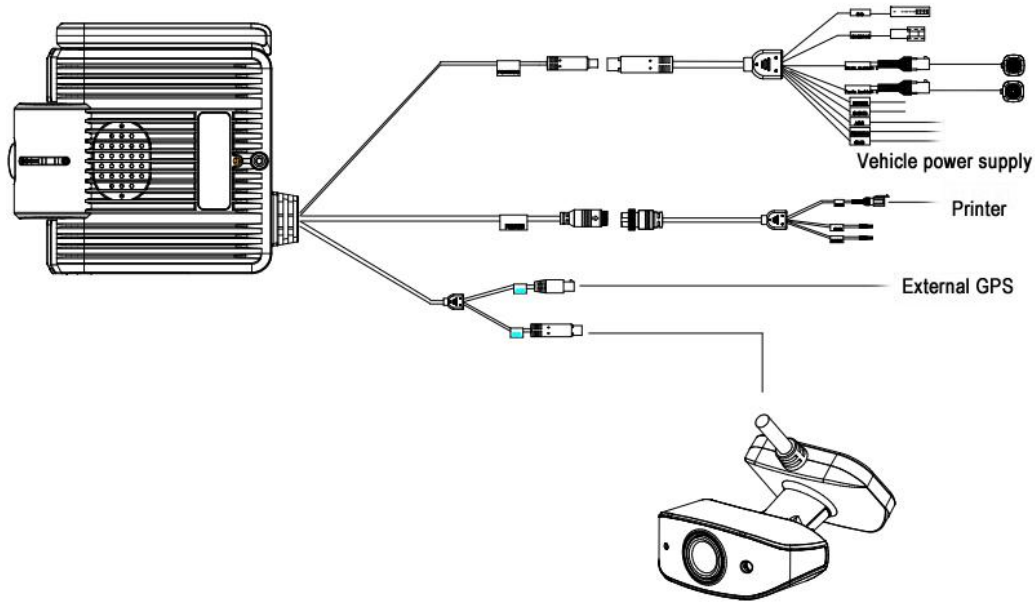
1.4. Definition



Items	Definition	Items	Definition
1	Fixing screw of cover	6	Photosensitive area
2	Bluetooth & WIFI	7	C6D-S lens (towards inside)
3	Speaker	8	Fixing screw of C6D-S
4	Fixing screw of C6D-M	9	MIC
5	C6D-M lens (towards outside)		

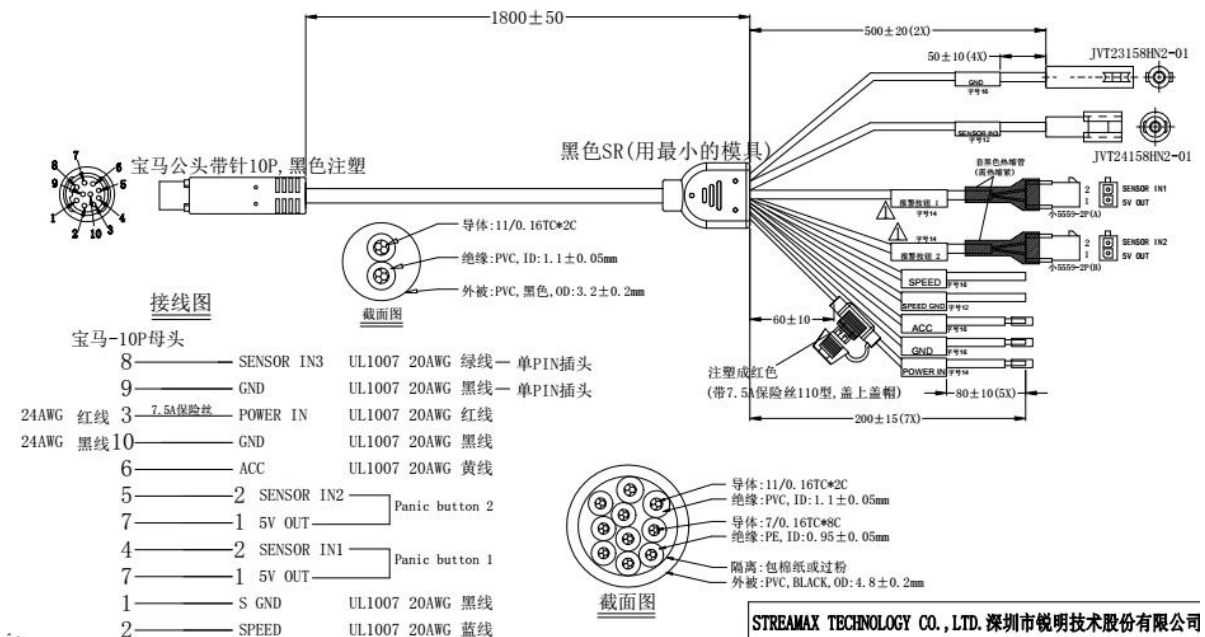
2. Product installation

2.1. Diagram

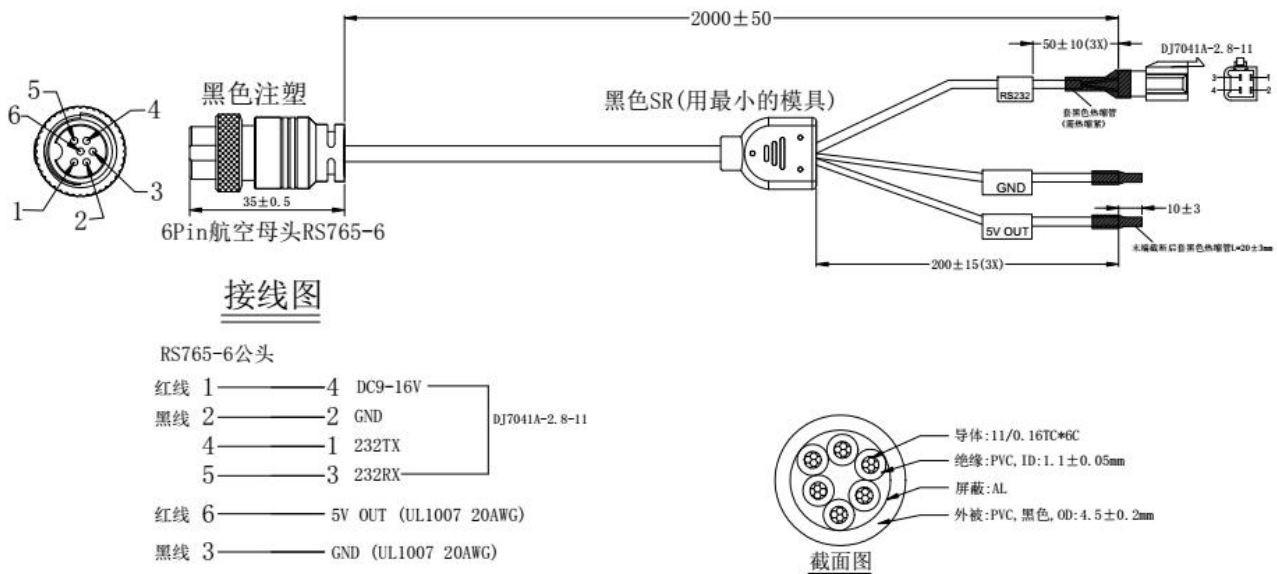


2.2. External cable interface definition

10P signal input line definition:



6PIN DIN JACK female signal input line



3. FAQ

1) The system can't start?

- Check the input power, whether the power wire is connected correctly, whether the ground wire is connected back to the battery, and whether the fuse on the power wire is in good condition.
- Check whether the ACC signal wire input to the power is with voltage higher than 7 V.

2) The device restarts uninterruptedly?

- Check whether the voltage of MDVR is insufficient. If the voltage is less than the start-up voltage of the device, the device would always restart.
- The problem in hard disk/SD card may cause the failure to start. Take off the storage part and check whether it is broken down.

3) The device can't record?

- Check whether the storage disk is installed, whether it is in good contact, and whether the disk can be read normally in computer.
- Check whether the storage disk is formatted. The storage disk should be formatted before normally storing record files.
- Check whether there is video signal input into the device from camera, and whether there is video/image on the screen.

4) There is no voice in record file?

- Check whether there is an external pickup, or whether the camera features with the function of audio collection.
- Access to Video Channel Settings, check if Audio is set on.
- There must be video input into the channel for recording and it must record normally.

5) The GPS works abnormally?

- a. Check whether the GPS antenna is installed correctly. There is a silk print logo on the GPS antenna holder behind the host device.
- b. Check whether the antenna receiver is sheltered. It should not be covered by any stuff, which may cause it not to receive signals.
- c. Environmental influence such as tree shades, being inside tunnel, driving near tall building or elevated roads, thunderstorms or other weather influence, etc. can also cause signal loss or receiving wrong signals.

6) The device can't shut down in ignition switch mode?

- a. Check if the ACC line connection mode is correct; and check whether there is voltage on ACC yellow line when the key is turned off.
- b. If the device has been set with schedule recording, it can't shut down if it is still during recording time of the task table.